


Programmable Digital Controller E5ER-T

CSM_E5ER-T_DS_E_4_3

A new 48 × 96-mm High-speed, High-precision Digital Controller that is Programmable!



- Create up to 32 programs with up to 256 segments total.
- 0.01°C High resolution for Pt input.
- High-speed sampling at 50 ms.
- Settings easily made from a computer using the CX-Thermo.
- RoHS compliance for world-wide application.

 Refer to *Safety Precautions for All E5□R Models.*



For the most recent information on models that have been certified for safety standards, refer to your OMRON website.

Model Number Structure

■ Model Number Legend

Note: When your order, specify the power supply voltage.

E5ER-T□□□□□□□□-□□□□
1 2 3 4 5 6 7 8 9

1. Control method

Blank: Standard or heating/cooling control
P: Position proportional control

2. Output 1

R: NO relay output + NO relay output
Q: Pulse output/current output + pulse output
C: Current output + current output

3. Output 2

R: NO relay output + NO relay output
Q: Pulse output/current output + pulse output
C: Current output + current output

4. Auxiliary Outputs

Blank: None
4: NO relay output + NO relay output
T: 2 transistor outputs

5. Communications

Blank: None
3: RS-485 communications

6. Optional Function

Blank: None
D: 4 event inputs

7. Input 1

B: Universal-input and 2 event inputs
F: Universal-input and FB
W: Universal-input and universal-input

8. Input 2

Blank: None
W: Universal-input and universal-input

9. Other

FLK: CompoWay/F communications
(3 digits): (Modification type)

Note: The above model number legend is intended as a functional description of models. Not all possible combinations of functions are available. Confirm model availability in *Ordering Information* when ordering.

Note: Be sure to read the precautions for correct use and other precautions in the following user's manual before using the Digital Controller.
E5AR/ER Digital Controller User's Manual (Cat. No. Z182)

Ordering Information

■ Digital Controllers

When your order, specify the power supply voltage.

Programmable Digital Controllers (100 to 240 VAC)

| Size | Control type | Control mode | Outputs (control/transfer) | Optional functions | | | Model |
|--|--------------------------------|---|----------------------------------|-------------------------|--------------|-----------------------|-----------------|
| | | | | Auxiliary outputs (SUB) | Event inputs | Serial communications | |
| 48 × 96 mm | Basic control (1 loop) | Standard control Heating and cooling control | 2 (pulse + pulse/current) | 4 | 2 | None | E5ER-TQ4B |
| | | | 2 (current + current) | | | | E5ER-TC4B |
| | | | 2 (pulse + pulse/current) | | | | RS-485 |
| | 2-loop control | 2-loop standard control Single-loop heating and cooling control Single-loop cascade control Single-loop control with remote SP Single-loop proportional control | 2 (pulse + pulse/current) | 2 (See Note 2.) | 4 | RS-485 | E5ER-TQT3DW-FLK |
| | | | 2 (current + current) | | | | E5ER-TCT3DW-FLK |
| | Control valve control (1 loop) | Single-loop position-proportional control | Relay outputs (1 open, 1 closed) | 2 (See Note 2.) | 4 | None | E5ER-TPRTDF |
| Relay outputs (1 open, 1 closed) and 1 current | | | 4 | None | RS-485 | E5ER-TPRQ43F-FLK | |

Note 1: The outputs are transistor output.

Programmable Digital Controllers (24 VAC/DC)

| Size | Control type | Control mode | Outputs (control/transfer) | Optional functions | | | Model |
|--|--------------------------------|---|----------------------------------|-------------------------|--------------|-----------------------|-----------------|
| | | | | Auxiliary outputs (SUB) | Event inputs | Serial communications | |
| 48 × 96 mm | Basic control (1 loop) | Standard control Heating and cooling control | 2 (pulse + pulse/current) | 4 | 2 | None | E5ER-TQ4B |
| | | | 2 (current + current) | | | | E5ER-TC4B |
| | | | 2 (pulse + pulse/current) | | | | RS-485 |
| | 2-loop control | 2-loop standard control Single-loop heating and cooling control Single-loop cascade control Single-loop control with remote SP Single-loop proportional control | 2 (pulse + pulse/current) | 2 (See Note 2.) | 4 | RS-485 | E5ER-TQT3DW-FLK |
| | | | 2 (current + current) | | | | E5ER-TCT3DW-FLK |
| | Control valve control (1 loop) | Single-loop position-proportional control | Relay outputs (1 open, 1 closed) | 2 (See Note 2.) | 4 | None | E5ER-TPRTDF |
| Relay outputs (1 open, 1 closed) and 1 current | | | 4 | None | RS-485 | E5ER-TPRQ43F-FLK | |

Note 1: The outputs are transistor output.

Inspection Results

If an inspection report is required, it can be ordered at the same time as the Digital Controller using the following model number.

Inspection Report (Order Separately)

| Model |
|--------|
| E5ER-K |

■ Accessories (Order Separately)

Terminal Cover

| Descriptions | Model |
|-------------------------|-----------|
| Terminal Cover for E5ER | E53-COV15 |

Rubber Packing

| Model |
|---------|
| Y92S-P5 |

Note: The Rubber Packing is provided with the Digital Controller.

Specifications

■ Ratings

| | | | |
|---------------------------------|------------------------|--|------------------------------------|
| Supply voltage (See note 2.) | CE Marking | 100 to 240 VAC, 50/60 Hz | 24 VAC, 50/60 Hz; 24 VDC |
| | UL certification | 100 to 120 VAC, 50/60 Hz | |
| Operating voltage range | | 85% to 110% of rated supply voltage | |
| Power consumption | | 17 VA max. (with maximum load) | 11 VA/7 W max. (with maximum load) |
| Sensor input (See note 3.) | | Thermocouple: K, J, T, E, L, U, N, R, S, B, W Platinum resistance thermometer: Pt100 Current input: 4 to 20 mA DC, 0 to 20 mA DC (including remote SP input) Voltage input: 1 to 5 VDC, 0 to 5 VDC, 0 to 10 VDC (including remote SP input) (Input impedance: 150 Ω for current input, approx. 1 MΩ for voltage input) | |
| Control output | Voltage (pulse) output | 12 VDC, 40 mA max. with short-circuit protection circuit | |
| | Current output | 0 to 20 mA DC, 4 to 20 mA DC; load: 500 Ω max. (including transfer output) (Resolution: Approx. 54,000 for 0 to 20 mA DC; Approx. 43,000 for 4 to 20 mA DC) | |
| | Relay output | Position-proportional control type (open, closed) N.O., 250 VAC, 1 A (including inrush current) | |
| Auxiliary output | | Relay Output N.O., 250 VAC, 1 A (resistive load) Transistor Output Maximum load voltage: 30 VDC; Maximum load current: 50 mA; Residual voltage: 1.5 V max.; Leakage current: 0.4 mA max. | |
| Potentiometer input | | 100 Ω to 2.5 kΩ | |
| Event input | Contact | Input ON: 1 kΩ max.; OFF: 100 kΩ min. | |
| | No-contact | Input ON: Residual voltage of 1.5 V max.; OFF: Leakage current of 0.1 mA max. Short-circuit: Approx. 4 mA | |
| Remote SP input | | Refer to the information on sensor input. | |
| Transfer output | | Refer to the information on control output. | |
| Control method | | 2-PID or ON/OFF control | |
| Setting method | | Digital setting using front panel keys or setting using serial communications | |
| Indication method | | 7-segment digital display and single-lighting indicator Character Height PV display: 9.5 mm; SV display: 7.2 mm; MV display: 7.2 mm | |
| Other functions | | Depends on model. | |
| Ambient operating temperature | | -10 to 55°C (with no icing or condensation) For 3 years of assured use: -10 to 50°C (with no icing or condensation) | |
| Ambient operating humidity | | 25% to 85% | |
| Storage temperature | | -25 to 65°C (with no icing or condensation) | |



Note 1: Do not use an inverter output as the power supply. (Refer to *Safety Precautions for All E5LR Models*.)

Note 2: The supply voltage (i.e., 100 to 240 VAC or 24 VAC/VDC) depends on the model. Be sure to specify the required type when ordering.

Note 3: The Controller is equipped with multiple sensor input. Temperature input or analog input can be selected with the input type setting switch. There is basic insulation between power supply and input terminals, power supply and output terminals, and input and output terminals.

■ Input Ranges

Platinum Resistance Thermometer, Thermocouple, Current, or Voltage Input

| Input type | Thermocouple | | | | | | | | | | | | | | Current | | Voltage | | | |
|-------------------------------------|---|--------|--------------|-------|-------|-------|-------|-------|--------|--------|--------|--------|---------------------|---------|---|--------|---------|---------|----|----|
| | Platinum resistance thermometer | | Thermocouple | | | | | | | | | | | | mA | | V | | | |
| Name | Pt100 | | K | J | T | E | L | U | N | R | S | B | W (W/Re 5-26) | | | | | | | |
| Temperature range (°C) | 850.0 | | 1300.0 | 850.0 | | | 850.0 | | 1300.0 | 1700.0 | 1700.0 | 1800.0 | 2300.0 | 20 to 4 | 20 to 0 | 5 to 1 | 5 to 0 | 10 to 0 | | |
| | -200.0 | | -200.0 | 500.0 | 400.0 | 400.0 | 600.0 | 400.0 | 400.0 | 0.0 | 0.0 | 100.0 | 0.0 | | | | | | | |
| Setting | 0 | 1 | 2 | 3 | 4 | 5 | 6 | 7 | 8 | 9 | 10 | 11 | 12 | 13 | 14 | 15 | 16 | 17 | 18 | 19 |
| Minimum setting unit (SP and alarm) | 0.1°C | 0.01°C | 0.1°C | | | | | | | | | | | | (Depends on scaling and number of decimal places.) | | | | | |
| Input type setting switch | Set to TC.PT.  | | | | | | | | | | | | | | Set to ANALOG  | | | | | |

Note: The shaded area indicates the setting status at the time of purchase.

■ Characteristics

| | |
|---|---|
| Indication accuracy | Thermocouple input with cold junction compensation: ($\pm 0.1\%$ of PV or $\pm 1^\circ\text{C}$, whichever is greater) ± 1 digit max. (See note 1.) Thermocouple input without cold junction compensation: ($\pm 0.1\%$ FS or $\pm 1^\circ\text{C}$, whichever is smaller) ± 1 digit (See note 2.) Analog input: $\pm 0.1\%$ FS ± 1 digit max. Platinum resistance thermometer input: ($\pm 0.1\%$ of PV or $\pm 0.5^\circ\text{C}$, whichever is greater) ± 1 digit max. Position-proportional potentiometer input: $\pm 5\%$ FS ± 1 digit max. |
| Control mode | Standard control (heating or cooling control), heating/cooling control, standard control with remote SP (2-input models only), heating/cooling control with remote SP (2-input models only), cascade standard control (2-input models only), cascade heating/cooling control (2-input models only), proportional control (2-input models only), position-proportional control (control-valve control models only) |
| Influence of temperature | Thermocouple input (R, S, B, W): ($\pm 1\%$ of PV or $\pm 10^\circ\text{C}$, whichever is greater) ± 1 digit max. Other thermocouple input: ($\pm 1\%$ of PV or $\pm 4^\circ\text{C}$, whichever is greater) ± 1 digit max. *K-type thermocouple at -100°C max.: $\pm 10^\circ\text{C}$ max. |
| Influence of voltage | Platinum resistance thermometer: ($\pm 1\%$ of PV or $\pm 2^\circ\text{C}$, whichever is greater) ± 1 digit max. |
| Influence of EMS. (at EN61326-1) | Analog input: ($\pm 1\%$ FS) ± 1 digit max. |
| Control period | 0.2 to 99.0 s (in units of 0.1 s) for time-proportioning control output |
| Proportional band (P) | 0.00% to 999.99% FS (in units of 0.01% FS) |
| Integral time (I) | 0.0 to 3,999.9 s (in units of 0.1 s) |
| Derivative time (D) | 0.0 to 3,999.9 s (in units of 0.1 s) |
| Hysteresis | 0.01% to 99.99% FS (in units of 0.01% FS) |
| Manual reset value | 0.0% to 100.0% (in units of 0.1% FS) |
| Alarm setting range | -19,999 to 99,999 EU (See note 3.) (The decimal point position depends on the input type and the decimal point position setting.) |
| Input sampling period | 50 ms |
| Insulation resistance | 20 M Ω min. (at 500 VDC) |
| Dielectric strength | 2,000 VAC, 50/60 Hz for 1 min (between charged terminals of different polarities) |
| Vibration resistance (malfunction) | 10 to 55 Hz, 20 m/s ² for 10 min each in X, Y, and Z directions |
| Shock resistance (malfunction) | 100 m/s ² , 3 times each in X, Y, and Z directions |
| Inrush current | 100 to 240-VAC models: 50 A max. 24 VAC/VDC models: 30 A max. |
| Weight | Controller only: Approx. 330 g; Mounting bracket: Approx. 60 g; Terminal cover: Approx. 16 g |
| Degree of protection | Front panel: NEMA4X for indoor use; Rear case: IP20; Terminals: IP00 |
| Memory protection | Non-volatile memory (number of writes: 100,000) |
| Applicable standards | UL 61010C-1, CSA C22.2 No. 1010-1 (Power supply voltage: 100 to 120 VAC): Pollution degree 2/Overvoltage category 2 EN 61010-1 (IEC 61010-1) (Power supply voltage: 100 to 240 VAC): Pollution degree 2/Overvoltage category 2 |
| EMC | EMI: EN61326-1 (See note 4.) Radiated Interference Electromagnetic Field Strength: EN55011 Group 1 Class A Noise Terminal Voltage: EN55011 Group 1 Class A EMS: EN61326-1 (See note 4.) ESD Immunity: EN61000-4-2: 4 kV contact discharge (level 2) 8 kV air discharge (level 3) 10 V/m (amplitude-modulated, 80 MHz to 1 GHz, 1.4 GHz to 2 GHz) (level 3) Electromagnetic Immunity: EN61000-4-3: EN61000-4-4:2 kV power line (level 3) Burst Noise Immunity: 2 kV output line (relay output) (level 4) 1 kV measurement line, I/O signal line (level 4) 1 kV communications line (level 3) 3 V (0.15 to 80 MHz) (level 3) Conducted Disturbance Immunity: EN61000-4-6: EN61000-4-5:1 kV line to line (power line, output line (relay output)) (level 2) Surge Immunity: 2 kV line to ground (power line, output line (relay output)) (level 3) Power Frequency Magnetic Field Immunity: EN61000-4-8: 30 A/m (50 Hz) continuous field Voltage Dip/Interrupting Immunity: EN61000-4-11: 0.5 cycle, 100% (rated voltage) |

Note 1: K-, T-, or N-type thermocouple at -100°C max.: $\pm 2^\circ\text{C} \pm 1$ digit max.
U- or L-type thermocouple: $\pm 2^\circ\text{C} \pm 1$ digit max.
B-type thermocouple at 400°C max.: No accuracy specification.
R- or S-type thermocouple at 200°C max.: $\pm 3^\circ\text{C} \pm 1$ digit max.
W-type thermocouple: ($\pm 0.3\%$ of PV or $\pm 3^\circ\text{C}$, whichever is greater) ± 1 digit max.

2: U- or L-type thermocouple: $\pm 1^\circ\text{C} \pm 1$ digit

R- or S-type thermocouple at 200°C max.: $\pm 1.5^\circ\text{C} \pm 1$ digit

3: "EU" (Engineering Unit) represents the unit after scaling. If a temperature sensor is used, it is either $^\circ\text{C}$ or $^\circ\text{F}$.

4: Industrial electromagnetic environment (EN/IEC 61326-1 Table 2)

■ Communications Specifications

| | |
|--|--|
| Transmission path connection | Multiple points |
| Communications method | RS-485 (two-wire, half duplex) |
| Synchronization method | Start-stop synchronization |
| Baud rate | 9,600, 19,200, or 38,400 bps |
| Transmission code | ASCII |
| Data bit length | 7 or 8 bits |
| Stop bit length | 1 or 2 bits |
| Error detection | Vertical parity (none, even, odd) Block check character (BCC): CompoWay/F CRC-16: Modbus |
| Flow control | None |
| Interface | RS-485 |
| Retry function | None |
| Communications buffer | 217 bytes |
| Communications response send wait time | 0 to 99 ms, Default: 20 ms |

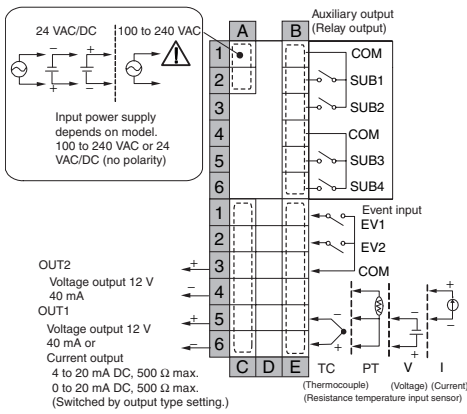
■ Program Control Functions

| | | |
|-----------------------------------|---|--|
| Number of programs (patterns) | 32 (with 8 segments/program) | |
| Number of segments (steps) | 32 (with 8 programs) | |
| Maximum number of segments | 256 | |
| Segment setting method | Time setting (Segment set with set point and time.) Gradient setting (Segment set with set point, gradient, and time.) | |
| Segment times | 0 h 0 min to 99 h 59 min 0 min 0 s to 99 min 59 s 0 min 00.0 s to 99 min 59.9 s | |
| Alarm group number specifications | Number of sets | 4 |
| | Setting method | Set separately for each program. |
| Reset operation | Select either stopping control or fixed SP operation. | |
| Startup operation | Select continuing, resetting, manual operation, run mode, or ramp back operation. | |
| PID sets | Number of sets | 8 |
| | Setting method | Set separately for each program (automatic PID group selection also supported). |
| Alarm SP function | Select from ramp SP and target SP. | |
| Program status control | Segment operation | Advance, hold, and back |
| | Program operation | Program repetitions and program links |
| Wait operation | Wait method | Select from waiting at segment ends and always waiting. |
| | Wait width setting | Wait width upper limit and lower limit set separately for each program. |
| | Setting method | ON/OFF setting for each segment |
| Time signals | Number of outputs | 6 |
| | Number of ON/OFF operations | 3 each per output |
| | Setting method | Set separately for each program. |
| Segment outputs | Number of outputs | 10 |
| | Setting method | ON/OFF set for each segment. |
| Program status output | Program end output (pulse width can be set) Segment number output | |
| Program startup operation | PV start | Select from segment 1 set point, gradient-priority PV start, and time-priority PV start. |
| | Standby | Standby |
| Operation end operation | Select from resetting, continuing control at final set point, and fixed SP control. | |
| Number of event inputs | 10 max. | |

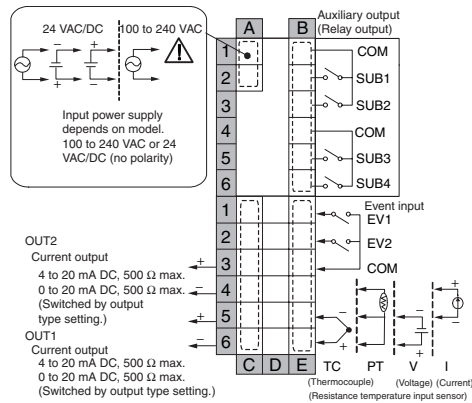
Wiring Terminals

■ E5ER-T (Programmable Type)

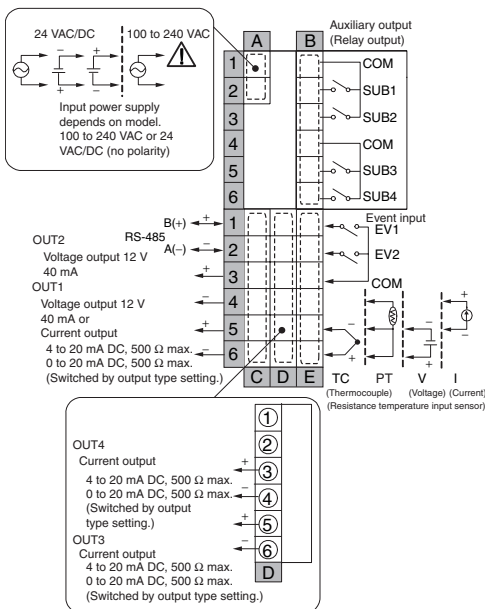
E5ER-TQ4B




E5ER-TC4B

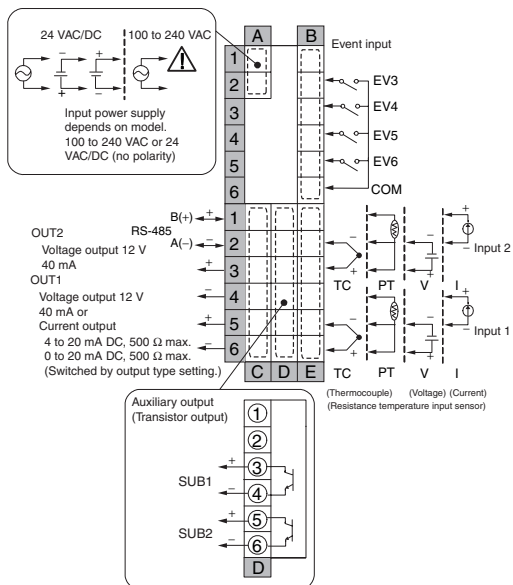


E5ER-TQC43B-FLK

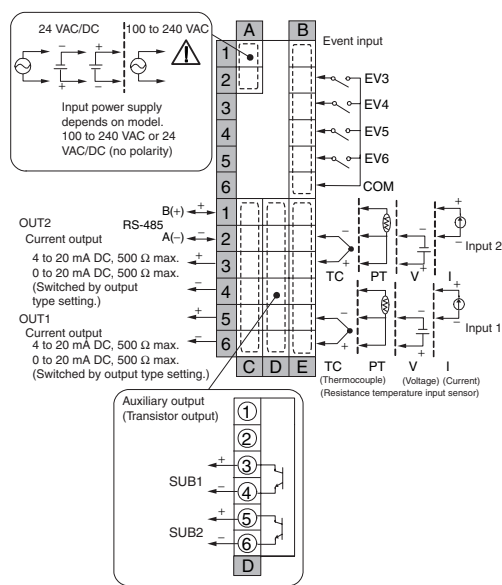


| | |
|--|---|
|  <p>Note</p> | <p>The power supply voltage must be 100 to 240 VAC or 24 VAC/DC for the E5ER-T to comply with CE marking requirements.</p> <p>The power supply voltage must be 100 to 120 VAC or 24 VAC/DC for the E5ER-T to comply with UL requirements.</p> |
|--|---|

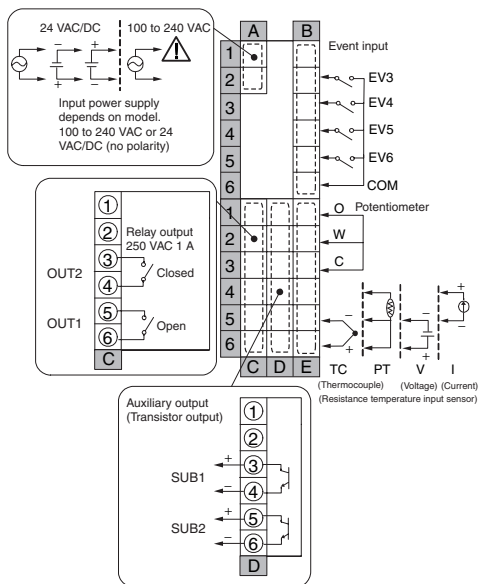
E5ER-TQT3DW-FLK (2-loop Control)



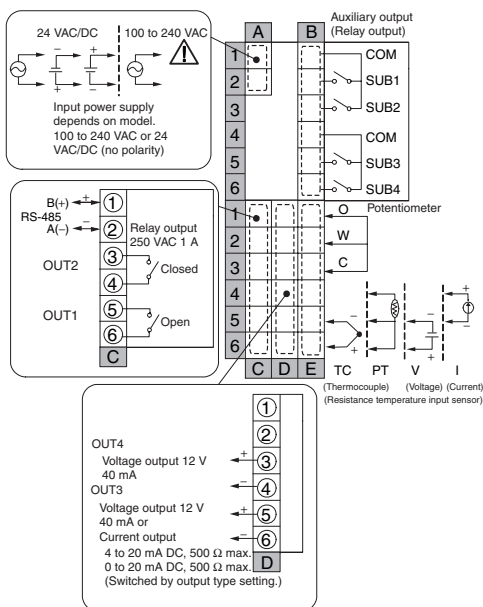
E5ER-TCT3DW-FLK (2-loop Control)



E5ER-TPRTDF



E5ER-TPRQ43F-FLK

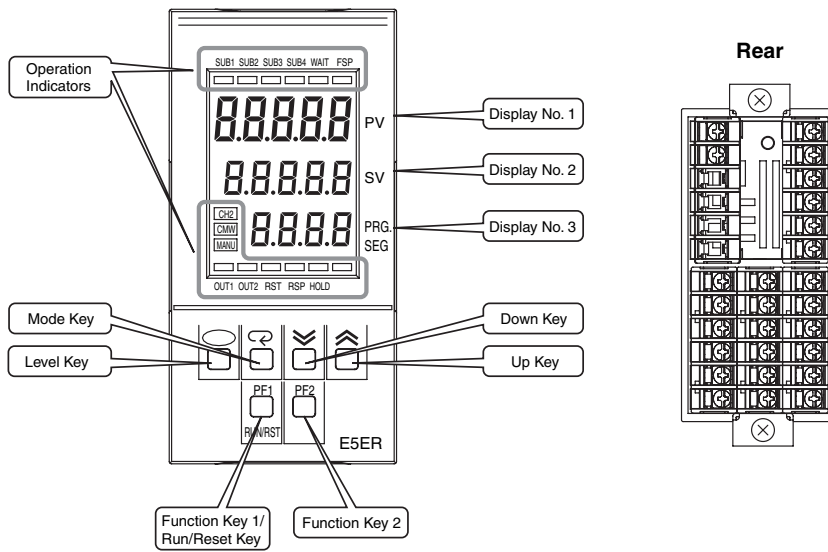


Note

The power supply voltage must be 100 to 240 VAC or 24 VAC/DC for the E5ER-T to comply with CE marking requirements.
 The power supply voltage must be 100 to 120 VAC or 24 VAC/DC for the E5ER-T to comply with UL requirements.

Nomenclature

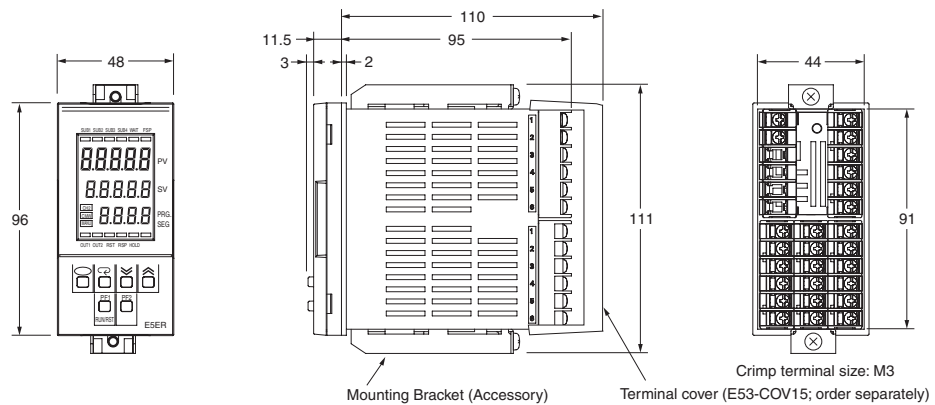
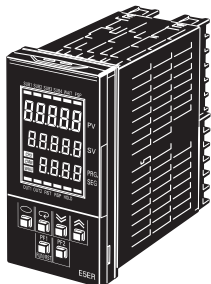
E5ER-T



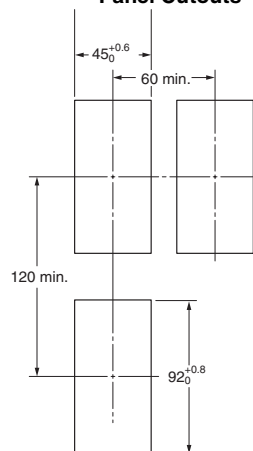
Dimensions

Note: All units are in millimeters unless otherwise indicated.

E5ER-T



Panel Cutouts

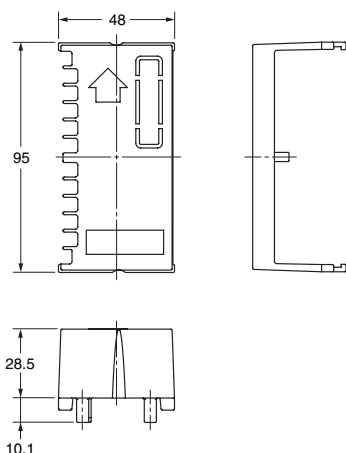
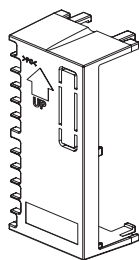


- Recommended panel thickness is 1 to 8 mm.
- Group mounting is not possible. (Maintain the specified mounting space between Controllers.)
- When two or more Controllers are mounted, make sure that the surrounding temperature does not exceed the allowable operating temperature specified in the specifications.

■ Accessories (Order Separately)

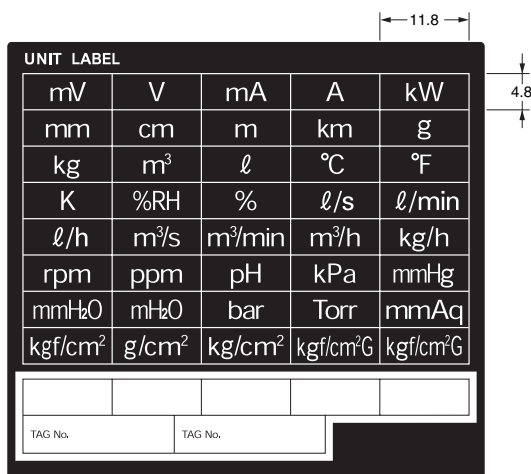
Terminal Cover

E53-COV15 (for E5ER)



Unit Label Sheet

Y92S-L1



Rubber Packing

Y92S-P5 (for DIN48 × 96)



Order the Rubber Packing separately if it becomes lost or damaged. (Refer to page 2.)

The Rubber Packing can be used to achieve an IP66 degree of protection.

(Deterioration, shrinking, or hardening of the rubber packing may occur depending on the operating environment. Therefore, periodic replacement is recommended to ensure the level of waterproofing specified in NEMA4. The time for periodic replacement depends on the operating environment.

Be sure to confirm this point at your site. Consider one year a rough standard. OMRON shall not be liable for the level of water resistance if the customer does not perform periodic replacement.)

The Rubber Packing does not need to be attached if a waterproof structure is not required.

ALL DIMENSIONS SHOWN ARE IN MILLIMETERS.
To convert millimeters into inches, multiply by 0.03937. To convert grams into ounces, multiply by 0.03527.

In the interest of product improvement, specifications are subject to change without notice.

Terms and Conditions Agreement

Read and understand this catalog.

Please read and understand this catalog before purchasing the products. Please consult your OMRON representative if you have any questions or comments.

Warranties.

(a) Exclusive Warranty. Omron's exclusive warranty is that the Products will be free from defects in materials and workmanship for a period of twelve months from the date of sale by Omron (or such other period expressed in writing by Omron). Omron disclaims all other warranties, express or implied.

(b) Limitations. OMRON MAKES NO WARRANTY OR REPRESENTATION, EXPRESS OR IMPLIED, ABOUT NON-INFRINGEMENT, MERCHANTABILITY OR FITNESS FOR A PARTICULAR PURPOSE OF THE PRODUCTS. BUYER ACKNOWLEDGES THAT IT ALONE HAS DETERMINED THAT THE PRODUCTS WILL SUITABLY MEET THE REQUIREMENTS OF THEIR INTENDED USE.

Omron further disclaims all warranties and responsibility of any type for claims or expenses based on infringement by the Products or otherwise of any intellectual property right. (c) Buyer Remedy. Omron's sole obligation hereunder shall be, at Omron's election, to (i) replace (in the form originally shipped with Buyer responsible for labor charges for removal or replacement thereof) the non-complying Product, (ii) repair the non-complying Product, or (iii) repay or credit Buyer an amount equal to the purchase price of the non-complying Product; provided that in no event shall Omron be responsible for warranty, repair, indemnity or any other claims or expenses regarding the Products unless Omron's analysis confirms that the Products were properly handled, stored, installed and maintained and not subject to contamination, abuse, misuse or inappropriate modification. Return of any Products by Buyer must be approved in writing by Omron before shipment. Omron Companies shall not be liable for the suitability or unsuitability or the results from the use of Products in combination with any electrical or electronic components, circuits, system assemblies or any other materials or substances or environments. Any advice, recommendations or information given orally or in writing, are not to be construed as an amendment or addition to the above warranty.

See <http://www.omron.com/global/> or contact your Omron representative for published information.

Limitation on Liability; Etc.

OMRON COMPANIES SHALL NOT BE LIABLE FOR SPECIAL, INDIRECT, INCIDENTAL, OR CONSEQUENTIAL DAMAGES, LOSS OF PROFITS OR PRODUCTION OR COMMERCIAL LOSS IN ANY WAY CONNECTED WITH THE PRODUCTS, WHETHER SUCH CLAIM IS BASED IN CONTRACT, WARRANTY, NEGLIGENCE OR STRICT LIABILITY.

Further, in no event shall liability of Omron Companies exceed the individual price of the Product on which liability is asserted.

Suitability of Use.

Omron Companies shall not be responsible for conformity with any standards, codes or regulations which apply to the combination of the Product in the Buyer's application or use of the Product. At Buyer's request, Omron will provide applicable third party certification documents identifying ratings and limitations of use which apply to the Product. This information by itself is not sufficient for a complete determination of the suitability of the Product in combination with the end product, machine, system, or other application or use. Buyer shall be solely responsible for determining appropriateness of the particular Product with respect to Buyer's application, product or system. Buyer shall take application responsibility in all cases.

NEVER USE THE PRODUCT FOR AN APPLICATION INVOLVING SERIOUS RISK TO LIFE OR PROPERTY OR IN LARGE QUANTITIES WITHOUT ENSURING THAT THE SYSTEM AS A WHOLE HAS BEEN DESIGNED TO ADDRESS THE RISKS, AND THAT THE OMRON PRODUCT(S) IS PROPERLY RATED AND INSTALLED FOR THE INTENDED USE WITHIN THE OVERALL EQUIPMENT OR SYSTEM.

Programmable Products.

Omron Companies shall not be responsible for the user's programming of a programmable Product, or any consequence thereof.

Performance Data.

Data presented in Omron Company websites, catalogs and other materials is provided as a guide for the user in determining suitability and does not constitute a warranty. It may represent the result of Omron's test conditions, and the user must correlate it to actual application requirements. Actual performance is subject to the Omron's Warranty and Limitations of Liability.

Change in Specifications.

Product specifications and accessories may be changed at any time based on improvements and other reasons. It is our practice to change part numbers when published ratings or features are changed, or when significant construction changes are made. However, some specifications of the Product may be changed without any notice. When in doubt, special part numbers may be assigned to fix or establish key specifications for your application. Please consult with your Omron's representative at any time to confirm actual specifications of purchased Product.

Errors and Omissions.

Information presented by Omron Companies has been checked and is believed to be accurate; however, no responsibility is assumed for clerical, typographical or proofreading errors or omissions.

2015.8

In the interest of product improvement, specifications are subject to change without notice.

OMRON Corporation
Industrial Automation Company

<http://www.ia.omron.com/>

(c)Copyright OMRON Corporation 2015 All Right Reserved.