

DeviceNet Communications Unit E5ZN-DRT

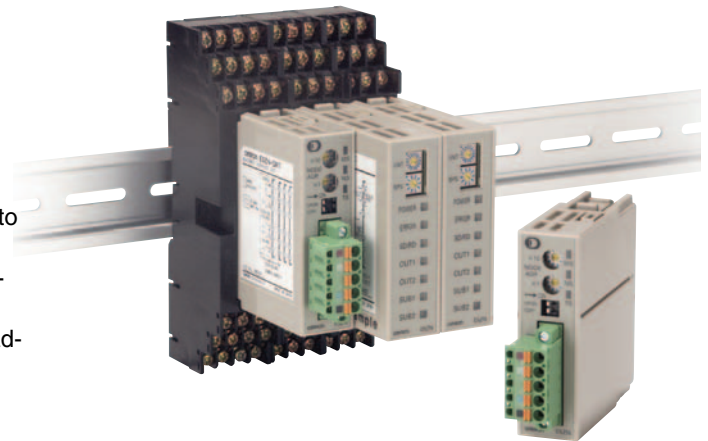
CSM_E5ZN-DRT_DS_E_3_2

Streamlined Communications from Temperature Controller to PLC

- The E5ZN Modular Temperature Controller is connected to the DeviceNet network.
- The I/O link function allows setting and monitoring (e.g., of present values) for the E5ZN Modular Temperature Controller to be performed without communications programming.
- Up to 16 E5ZN Modular Temperature Controllers can be connected to one Unit.
- All the parameters for the E5ZN can be uploaded or downloaded in one operation using DeviceNet Configurator.

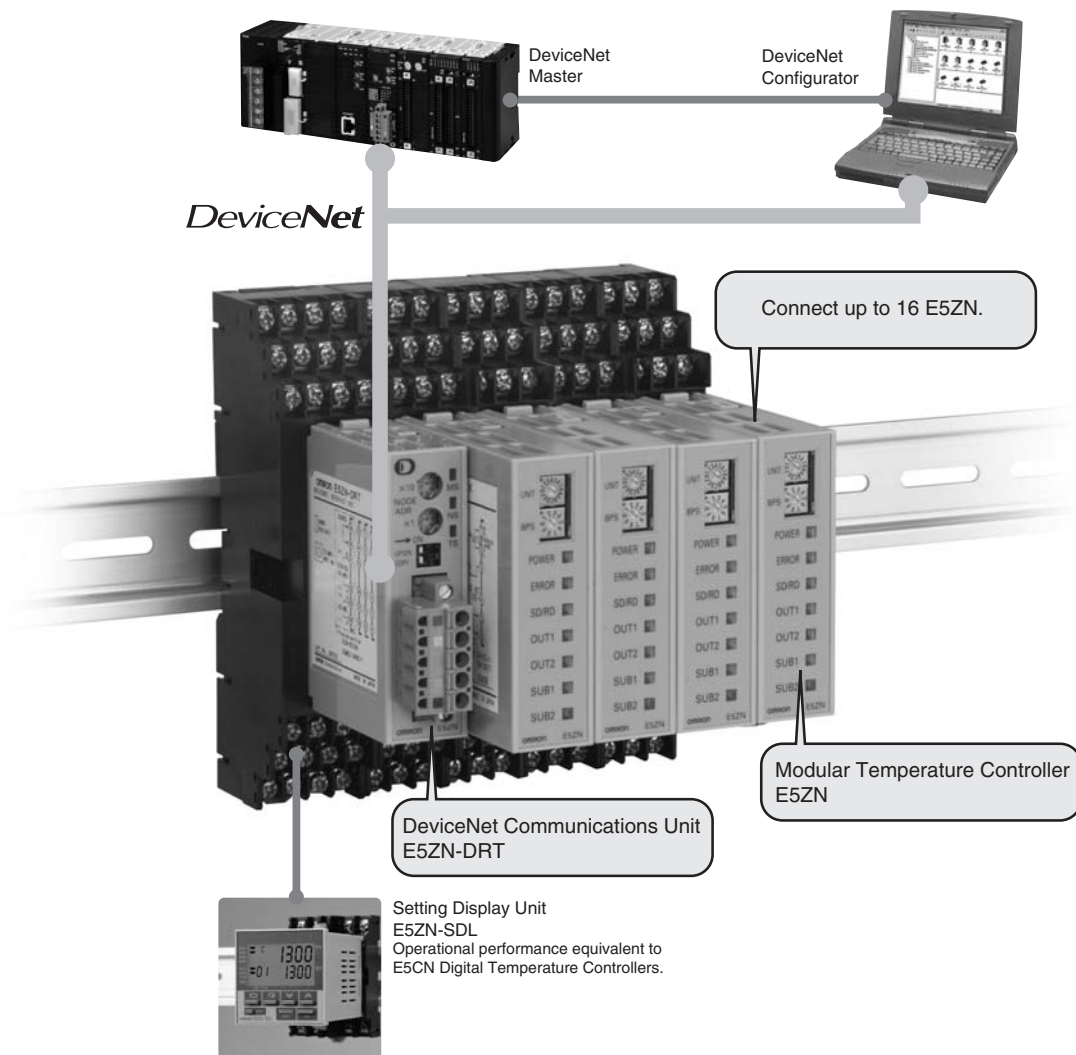


Refer to *Safety Precautions for All Temperature Controllers*.



Features

DeviceNet Communications Unit Enables Program-free Communications with Temperature Controllers

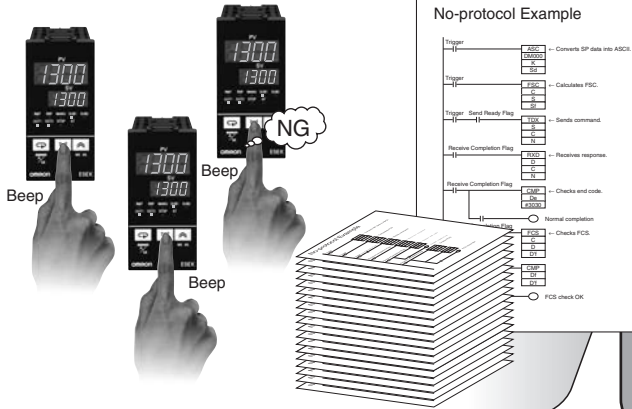


Features

Startup Time Is Six Times Faster and No Communications Programs Are Needed

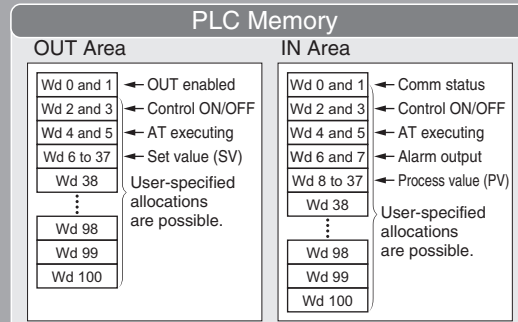
Previously, a time-consuming process of creating communications programs, debugging, and checking operations was required for the Temperature Controller to communicate with the PLC.

- For example, setting 10 Units required 60 minutes.
- Incorrect inputs were a concern.
- Separate debugging for each Unit was needed.



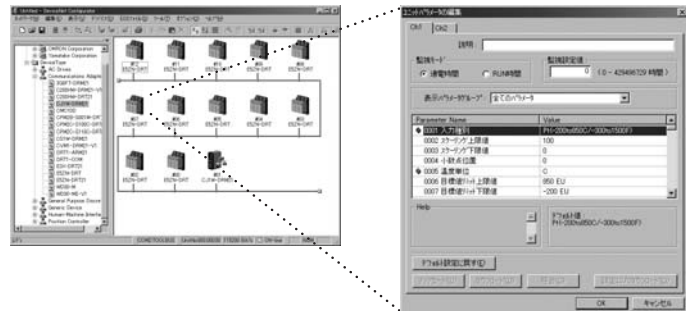
DeviceNet Communications Units enable high-speed data communications by allocating settings and monitoring parameters in the PLCs I/O Memory Area, contributing to greater reductions in the time required for communications program development.

- For example, set 10 Units in 10 minutes.
- Batch download using the personal computer.
- Debugging is easy using the personal computer.



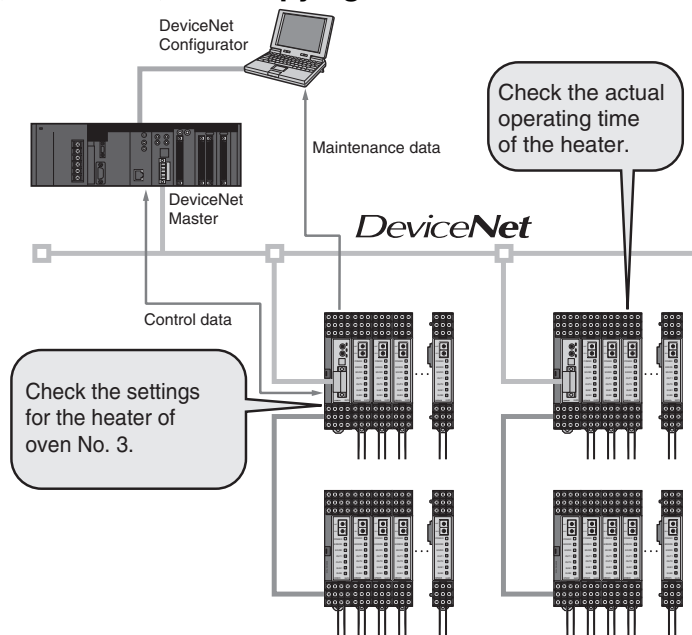
Manage All E5ZN Together from the DeviceNet Configurator

Use the DeviceNet Configurator for E5ZN initial settings and temperature control wiring to enable immediate execution.



Improved Maintenance with Monitoring, Comment, and Copying Functions

- Measure the heater control time (RUN time monitor) to manage heater life expectancy.
- Monitor supply voltages, such as those for Temperature Controller and Communications Unit power supplies, and network power supplies.
- User-specified names can be set for each heater and Communications Unit, enabling the location of errors to be checked quickly.
- Upload/download Temperature Controller parameters to the Communications Unit. This shortens the time required to replace Temperature Controllers.



Model Number Structure

■ Model Number Legend

E5ZN-DRT
1

1. DRT: DeviceNet communications

Ordering Information

■ List of Models

Name	External input power supply voltage	Applicable Temperature Controller	Model
DeviceNet Communications Unit	24 VDC	E5ZN	E5ZN-DRT
Terminal Unit			E5ZN-SCT24S

Note: A DeviceNet Communications Unit and Terminal Unit are required to connect to DeviceNet. Two End Plates are provided with E5ZN-SCT24S Terminal Units. When mounting to a DIN track, be sure to mount End Plates on both sides.

Specifications

■ Ratings

Power supply voltage	DeviceNet	24 VDC (for internal circuits)
	External input power supply	24 VDC (for RS-485 communications circuits and Temperature Controllers)
Allowable voltage range	DeviceNet	11 to 25 VDC
	External input power supply	20.4 to 26.4 VDC
Power consumption (See note 2.)	DeviceNet	Approx. 1.1 W (for a current of 45 mA at 24 VDC)
	External input power supply	Approx. 0.5 W (for a current of 20 mA at 24 VDC)
Connectable Temperature Controllers	E5ZN Series	
Maximum number of connectable Temperature Controllers	16	
Ambient operating temperature	-10 to 55°C (with no icing or condensation)	
Ambient operating humidity	25% to 85%	
Ambient storage temperature	-25 to 65°C (with no icing or condensation)	

Note: 1. Do not use an inverter output as the power supply. (Refer to *Safety Precautions for All Temperature Controllers*.)

2. The power consumption for the Temperature Controllers is not included.

■ Characteristics

Insulation resistance	20 MΩ min. (at 100 VDC)	
Dielectric strength	500 VAC, 50/60 Hz for 1 min between the DIN track and all DeviceNet connector terminals and between the DIN track and all terminal socket terminals	
Vibration resistance	10 to 55 Hz, 10 m/s ² for 2 hrs each in ±X, ±Y, and ±Z directions	
Shock resistance	150 m/s ² , 3 times each in ±X, ±Y, and ±Z directions	
Weight	100 g max.	
Safety standards	cULus508	
	EMS:	Electrostatic Discharge (ESD) EN61006-2, EN61000-4-2 (4 kV/contact, 8 kV/air) Radiated Electromagnetic Fields EN61006-2, EN61000-4-3 (10 V/m) Electrical Fast transients/BURST EN61006-2, EN61000-4-4 (2 kV/DC power-line, 1 kV/Signal-line) Surge Transients EN61006-2, EN61000-4-5 (line to ground : 1 kV/DC power-line : 2 kV/Signal-line line to line : 0.5 kV/DC power-line)
	EMI:	Conducted Disturbances EN61006-2, EN61000-4-6 (10 V) Radiated Emissions (electric field) EN50081-2 Class A

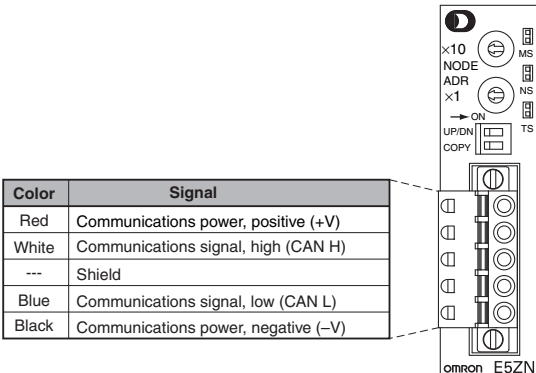
■ Communications (for Temperature Controller Expansion)

Transmission line connection method	RS-485 multipoint
Communications method	RS-485 (2-wire, half-duplex)
Synchronization method	Start-stop synchronization
Baud rate	38,400 bps
Transmission code	ASCII
Data bit length	7 bits
Stop bit length	2 bits
Error detection	Vertical parity (even) BCC (block check character)
Flow control	None
Number of Units that can be connected in parallel	16 Units max. (32 channels)

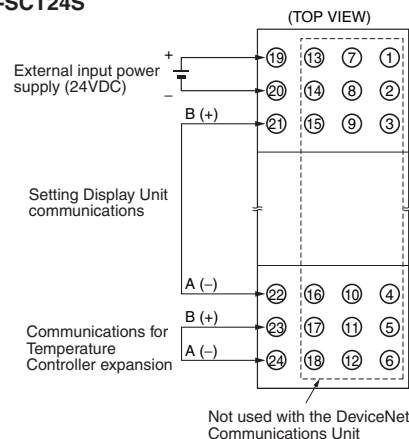
Connections

■ Terminal Arrangement

E5ZN-DRT

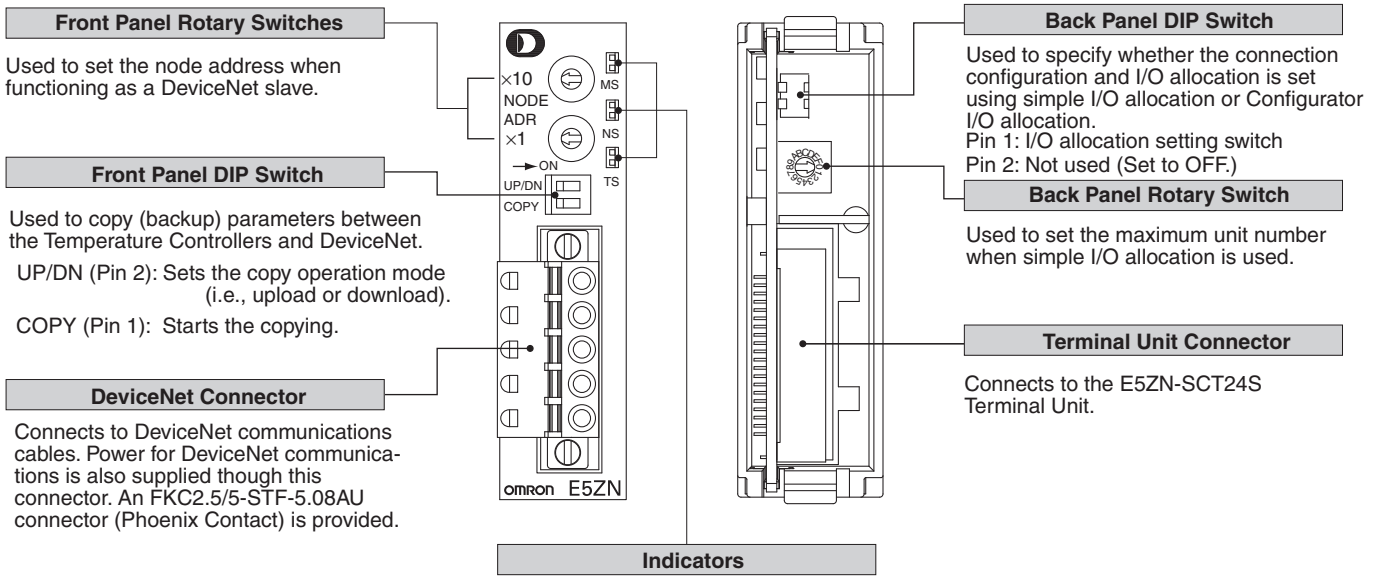


E5ZN-SCT24S



Nomenclature

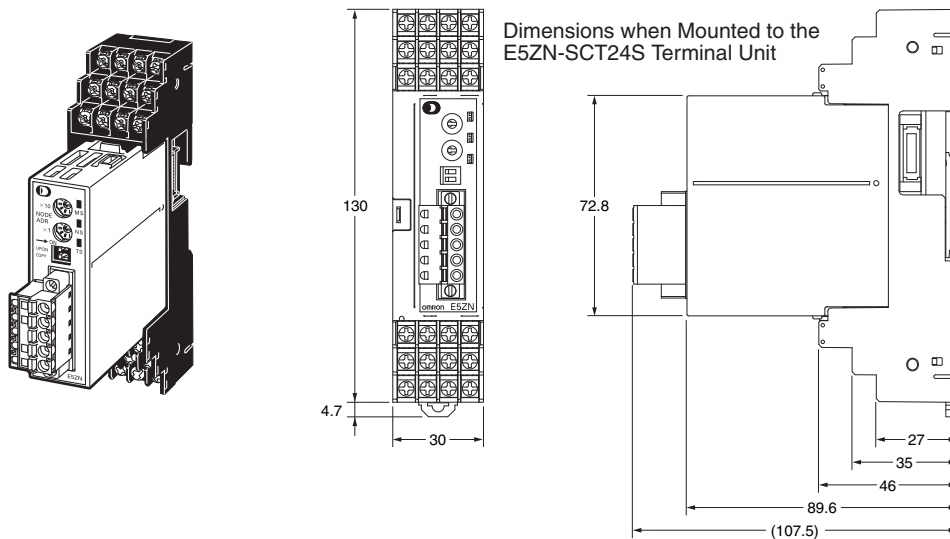
E5ZN-DRT



Dimensions

Note: All units are in millimeters unless otherwise indicated.

E5ZN-DRT



Note: Be sure to read the precautions for correct use and other precautions in the following user's manuals before using the Communications Unit.
E5ZN-DRT DeviceNet Communications Unit Operation Manual (Cat. No. H119)
DeviceNet Operation Manual (Cat. No. W267)

ALL DIMENSIONS SHOWN ARE IN MILLIMETERS.
To convert millimeters into inches, multiply by 0.03937. To convert grams into ounces, multiply by 0.03527.

In the interest of product improvement, specifications are subject to change without notice.

Terms and Conditions Agreement

Read and understand this catalog.

Please read and understand this catalog before purchasing the products. Please consult your OMRON representative if you have any questions or comments.

Warranties.

(a) Exclusive Warranty. Omron's exclusive warranty is that the Products will be free from defects in materials and workmanship for a period of twelve months from the date of sale by Omron (or such other period expressed in writing by Omron). Omron disclaims all other warranties, express or implied.

(b) Limitations. OMRON MAKES NO WARRANTY OR REPRESENTATION, EXPRESS OR IMPLIED, ABOUT NON-INFRINGEMENT, MERCHANTABILITY OR FITNESS FOR A PARTICULAR PURPOSE OF THE PRODUCTS. BUYER ACKNOWLEDGES THAT IT ALONE HAS DETERMINED THAT THE PRODUCTS WILL SUITABLY MEET THE REQUIREMENTS OF THEIR INTENDED USE.

Omron further disclaims all warranties and responsibility of any type for claims or expenses based on infringement by the Products or otherwise of any intellectual property right. (c) Buyer Remedy. Omron's sole obligation hereunder shall be, at Omron's election, to (i) replace (in the form originally shipped with Buyer responsible for labor charges for removal or replacement thereof) the non-complying Product, (ii) repair the non-complying Product, or (iii) repay or credit Buyer an amount equal to the purchase price of the non-complying Product; provided that in no event shall Omron be responsible for warranty, repair, indemnity or any other claims or expenses regarding the Products unless Omron's analysis confirms that the Products were properly handled, stored, installed and maintained and not subject to contamination, abuse, misuse or inappropriate modification. Return of any Products by Buyer must be approved in writing by Omron before shipment. Omron Companies shall not be liable for the suitability or unsuitability or the results from the use of Products in combination with any electrical or electronic components, circuits, system assemblies or any other materials or substances or environments. Any advice, recommendations or information given orally or in writing, are not to be construed as an amendment or addition to the above warranty.

See <http://www.omron.com/global/> or contact your Omron representative for published information.

Limitation on Liability; Etc.

OMRON COMPANIES SHALL NOT BE LIABLE FOR SPECIAL, INDIRECT, INCIDENTAL, OR CONSEQUENTIAL DAMAGES, LOSS OF PROFITS OR PRODUCTION OR COMMERCIAL LOSS IN ANY WAY CONNECTED WITH THE PRODUCTS, WHETHER SUCH CLAIM IS BASED IN CONTRACT, WARRANTY, NEGLIGENCE OR STRICT LIABILITY.

Further, in no event shall liability of Omron Companies exceed the individual price of the Product on which liability is asserted.

Suitability of Use.

Omron Companies shall not be responsible for conformity with any standards, codes or regulations which apply to the combination of the Product in the Buyer's application or use of the Product. At Buyer's request, Omron will provide applicable third party certification documents identifying ratings and limitations of use which apply to the Product. This information by itself is not sufficient for a complete determination of the suitability of the Product in combination with the end product, machine, system, or other application or use. Buyer shall be solely responsible for determining appropriateness of the particular Product with respect to Buyer's application, product or system. Buyer shall take application responsibility in all cases.

NEVER USE THE PRODUCT FOR AN APPLICATION INVOLVING SERIOUS RISK TO LIFE OR PROPERTY OR IN LARGE QUANTITIES WITHOUT ENSURING THAT THE SYSTEM AS A WHOLE HAS BEEN DESIGNED TO ADDRESS THE RISKS, AND THAT THE OMRON PRODUCT(S) IS PROPERLY RATED AND INSTALLED FOR THE INTENDED USE WITHIN THE OVERALL EQUIPMENT OR SYSTEM.

Programmable Products.

Omron Companies shall not be responsible for the user's programming of a programmable Product, or any consequence thereof.

Performance Data.

Data presented in Omron Company websites, catalogs and other materials is provided as a guide for the user in determining suitability and does not constitute a warranty. It may represent the result of Omron's test conditions, and the user must correlate it to actual application requirements. Actual performance is subject to the Omron's Warranty and Limitations of Liability.

Change in Specifications.

Product specifications and accessories may be changed at any time based on improvements and other reasons. It is our practice to change part numbers when published ratings or features are changed, or when significant construction changes are made. However, some specifications of the Product may be changed without any notice. When in doubt, special part numbers may be assigned to fix or establish key specifications for your application. Please consult with your Omron's representative at any time to confirm actual specifications of purchased Product.

Errors and Omissions.

Information presented by Omron Companies has been checked and is believed to be accurate; however, no responsibility is assumed for clerical, typographical or proofreading errors or omissions.